

TRAFFIC REMOVABLE BOLLARDS

partially submerged



RELIABLE, PRACTICAL AND COST-EFFECTIVE SOLUTION TO
PROVIDE 100% SECURITY OF YOUR TERRITORY

TiSO removable traffic bollards are one more interesting solution for vehicle access control management. The main difference to regular fixed/static bollards determined by mobility which provides free driveway in case of necessity. To get bollard unlocked, the only thing which has to be done is a simple turn of a key. The range of removable bollards available in different dimensions, blocking heights, tube's materials, and diameters. The installation depth is 315 mm.

Intended for vehicle access control with little traffic intensity.

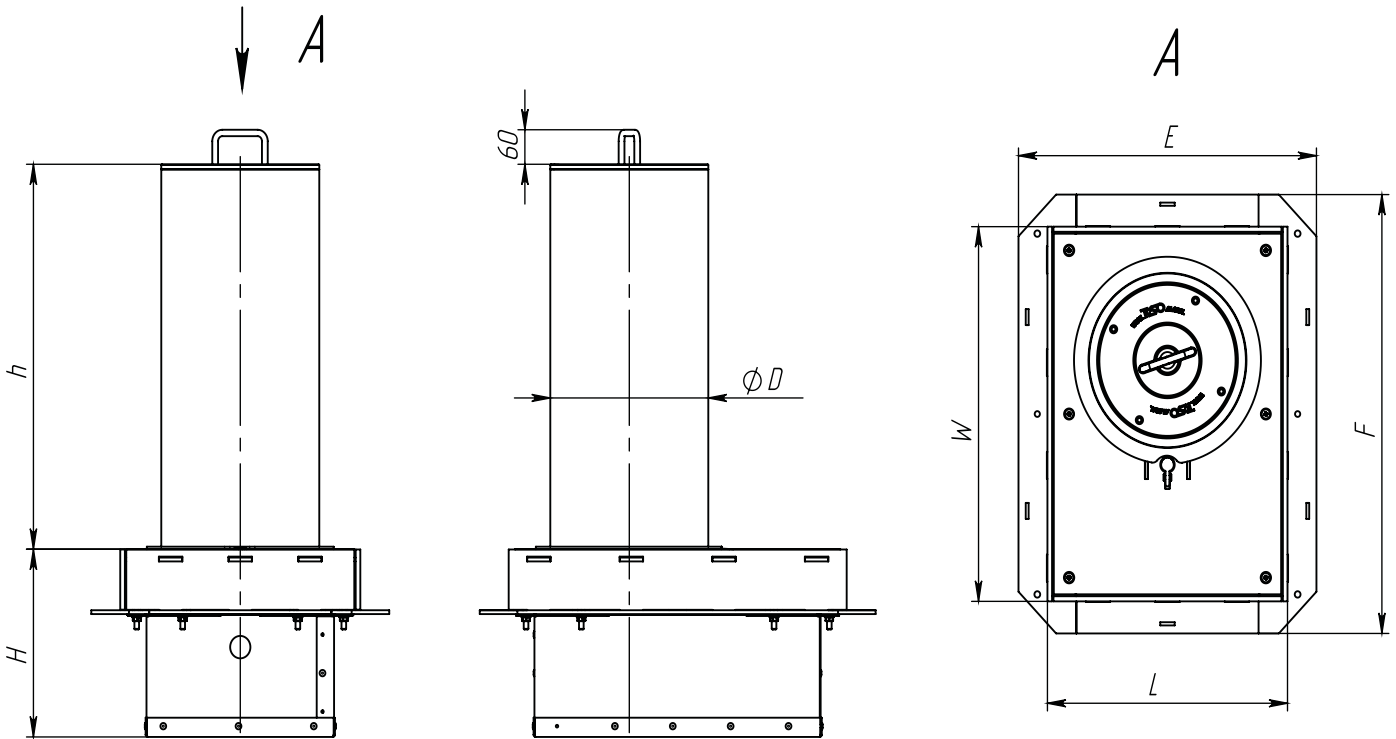
Installation areas

- Governmental Institutions
- Military Bases
- Nuclear Power Plants
- Production sites (Industrial Plants)
- Commercial areas
- Financial institutions
- Airport Premises
- Business (Office) Center
- Hotels
- Sport Complexes
- Recreation areas
- Urban areas
- Education Institutions



www.tiso.global
+380 (44) 291-21-11
e-mail: sales@tiso.global





TECHNICAL SPECS:

Model	RB345-03	RB345-02	RB345-01	RB345-15	RB345-06	RB345-05	RB345-04	RB345-18
Tube diameter (D), mm	114	170	220	273	114	170	220	273
Tube height (H), mm	600				800			
Dimensions, mm	890x420x460		890x460x610	890x515x685	1090x420x460		1090x460x610	1090x515x685
Materials	Brushed stainless steel AISI 304 Brushed stainless steel AISI 316 Galvanized and powder coated tube (any RAL up on request)							

